

PROJECT: _____
ARCHITECT: _____
CONTRACTOR: _____
CONTACT: _____
PHONE: _____

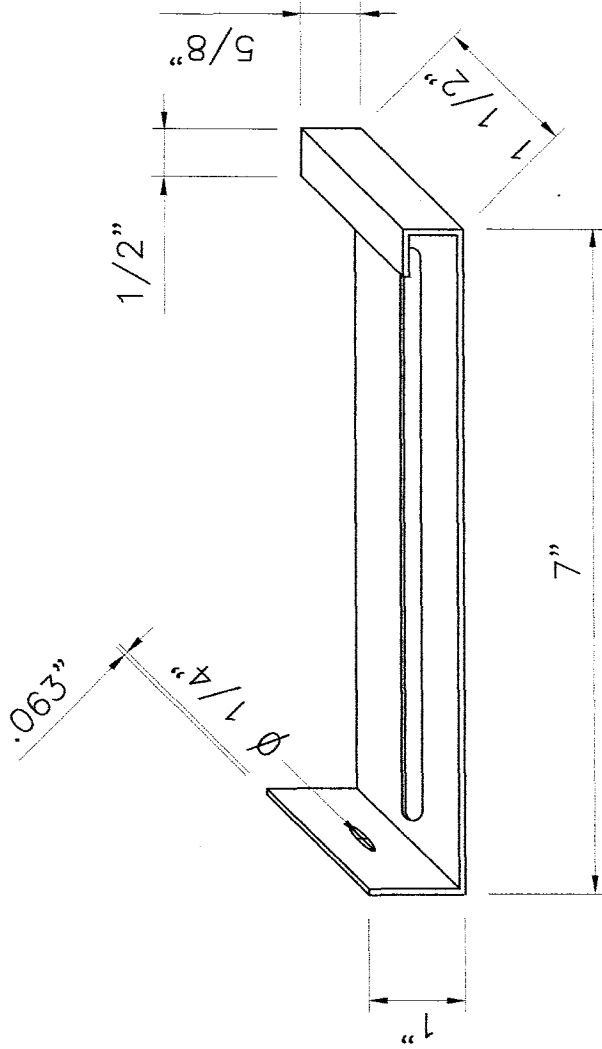
METAL SELECTION

- STEEL
- ALUMINUM
- COPPER
- STAINLESS

**ROOF DRAINAGE
COMPONENTS & ACCESSORIES, INC**

60 Don Westbrook Ave. N.
Jasper, GA 30143
Phone: 706-692-7333
Fax: 706-692-7335
www.roofdrainagecomp.com

7" HIDDEN HANGER



ACTUAL DIMENSIONS AND/OR ANGLES MAY VARY SLIGHTLY FROM THOSE DEPICTED.